


**PRODUCT NAME:**

FRAGILE TAPE

**PRODUCT CODE/S:**

AT20

**KEY FEATURES:**

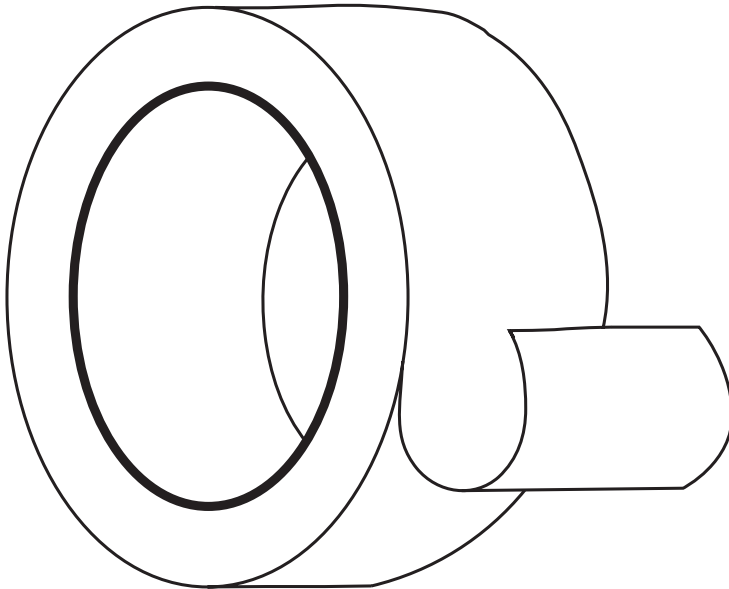
Fragile Packing Adhesive Tape is made with water-based acrylic adhesive on BOPP film, various thickness tapes for different requirements. It is Available in variety of width, length and colors to meet your special needs.

**Features:**

- Strong adhesion/tenacity
- Resistance to tear/aging
- Competitive price
- High quality/timely delivery

**USES**

Fragile Packing Tape is widely used in carton sealing and packing, light duty packaging, bundling, holding and other office & household application.

**DETAILS:**


<b>MATERIAL:</b>	BOPP + Water based Acrylic
<b>COLORS:</b>	White/Red Writing
<b>THICKNESS:</b>	45mic, etc.
<b>WIDTH:</b>	50mm, Customized
<b>LENGTH:</b>	50m
<b>ELONGATION:</b>	<180%
<b>TENSILE STRENGTH:</b>	>120 Mpa
<b>BOX QTY:</b>	36

**STORAGE**

STORE UNDER NORMAL CONDITIONS OF 70°F (21°C) AND 50% R.H. IN THE ORIGINAL CARTON.